

This drawing and design is the property of SIERRA SALES.
It shall not be used for any purpose other than by the owner.
SIERRA does not authorize the reproduction or conveyance
without their permission of any Information contained herein.

P.O. #	5500 GALLON DOUBLE WALL TANK		SULFURIC ACID-INDOORS		
Designed by C.GORTON	Checked by D.MCGRAW	Approved by - date APPROVED_BY_DATE	File name CCS-L	Date 10/14/08	Scale NTS

SIERRA
PHILADELPHIA, PA USA 215-258-5602

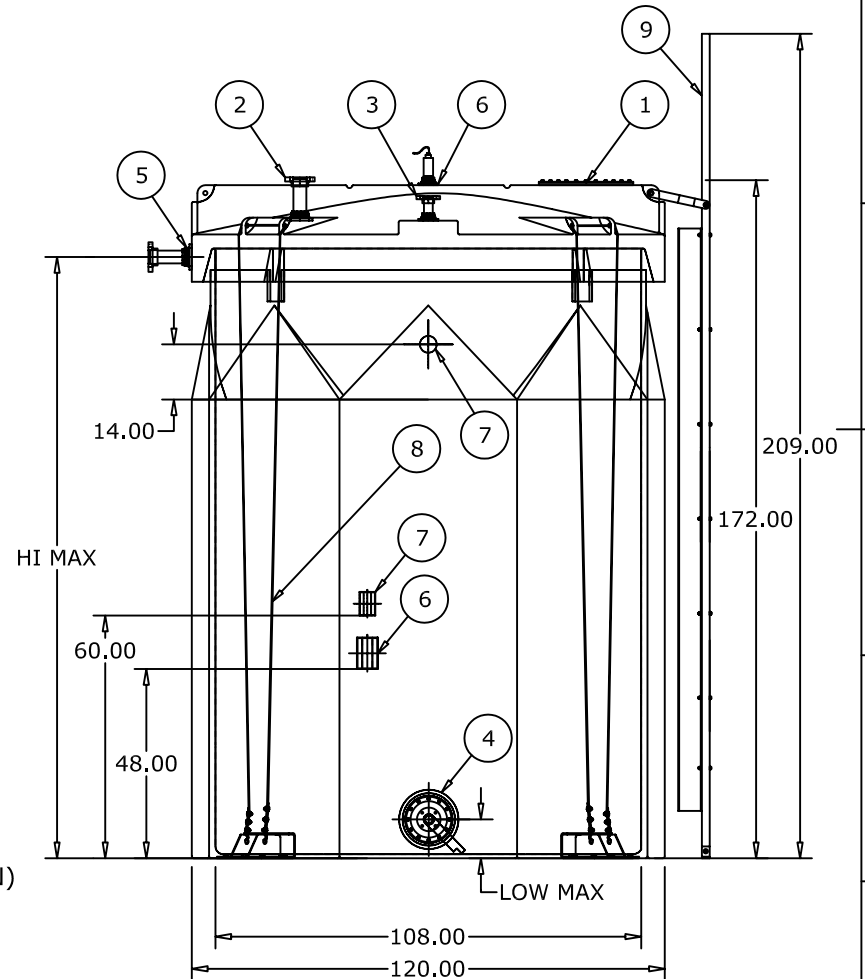
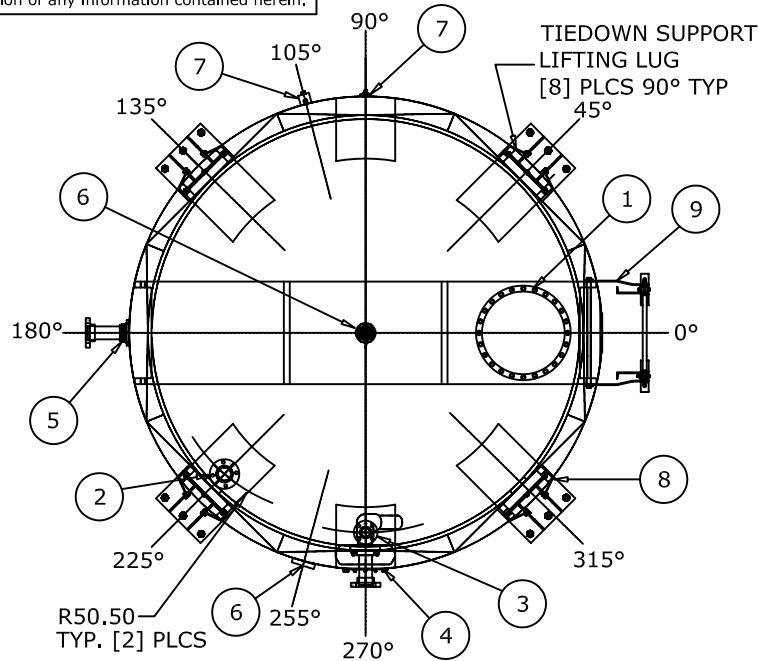
PN 5660030 5500 GALLON DOUBLE WALL TANK

DWG.NO.:PROENGINEER-D12

Revision
0

Sheet
1/1

ALL DIMENSIONS IN INCHES



1. 24" PE MANWAY, BOLTED & SEALED
2. 3" FNPT CPVC BULKHEAD FTG W/VITON® GASKET & FLG ADAPTOR (VENT)
3. 2" FNPT CPVC BULKHEAD FTG W/VITON® GASKET & FLG ADAPTOR (FILL)
4. 2" CPVC DOUB FLG BOLTED FTG W/VITON® GASKETS, PE ENCAP HASTELLOY BOLTS, CPVC SLIP-FIT SIPHON TUBE, PE TRANSITION FTG W/VITON® GASKETS & SS BOLTS & FLG ADAPTOR (DRAIN)
5. 3" FNPT CPVC BULKHEAD FTG W/VITON® GASKET & FLG ADAPTOR (OVERFLOW)
6. LEVEL SENSOR, ULTRASONIC, LED PANEL, [4] 10 AMP CONTACTS, 110 VAC W/2" FNPT CPVC BULKHEAD FTG W/VITON® GASKET (OPTIONAL)
7. LEAK DETECTOR, PROXIMITY, 110 VAC
8. TIE-DOWN SYSTEM, GALV STEEL, SEISMIC, CBC 1997, IBC 2006
9. LADDER, FRP, SAFETY YELLOW PIGMENT, OSHA COMPLIANT
10. HYDROSTATIC WATER TEST W/ DOCUMENTATION, ASTM D1998-2004 (NOT SHOWN)
11. TANK FACTORY AUDIT SHEET(S) (NOT SHOWN)
12. WRAP, PROTECTIVE PKG, FOR SHIPMENT (NOT SHOWN)

PRIMARY, HDLPE 1.9 S.G., NAT'L COLOR
SULFURIC RESIN #880046
SECONDARY, HDLPE 1.5 S.G., NAT'L COLOR
THREE (3) YEAR WARRANTY, MANUF ASTM D1998-06

TARE WGT. 3800 LBS US

RevNo	Revision note	Date	Signature	Checked
-------	---------------	------	-----------	---------